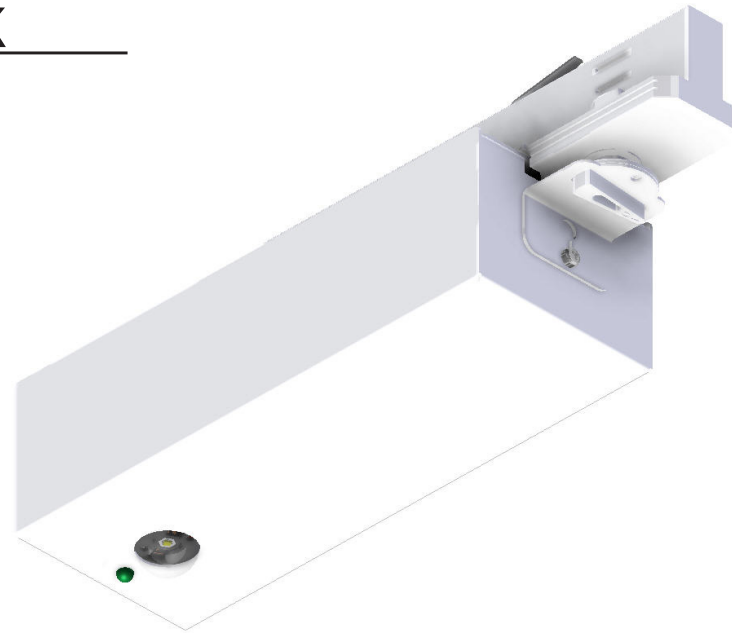


EM-TRACK



PRODUCT DESCRIPTION

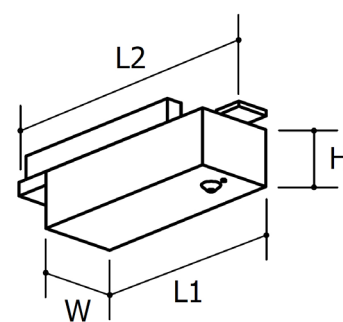
The EM-TRACK is a sophisticated emergency escape lighting system that is designed to install quickly into 3 circuit lighting tracks. Its in-built self-test function (weekly 5 second test) minimises maintenance time and assures a reliable and compliant emergency lighting installation.

This simple installation enables on site precise positioning and commissioning to ensure light is where its needed. Its wide area distribution and high lumen output minimises the quantity required. Equipped with Deep Discharge Protection, short circuit protection and available in 3 colours, ensures an installation that compliments all interiors and provides a life saving, compliant installation for years to come.

FEATURES

- Ingress Protection
- Colour Temperature
- Self Test

DIMENSIONS



	(mm)
L1	188
L2	264
W	70
H	62
KG	0.7

PRODUCT DATA

EM-TRACK				
Product code	Distribution	Colour Temp	Circuit Watts (w)	Em Lumens
390.2.180	Open Area	4000	2	180
391.2.180	Corridor	4000	2	180

PRODUCT OPTIONS



- B** Black Finish
xxx.x.xxx.B
- S** Silver Finish
xxx.x.xxx.S

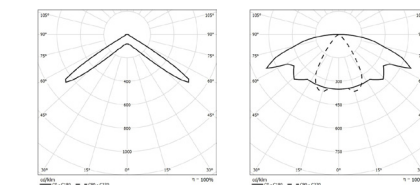
LED PERFORMANCE

- Colour Temp 4000k
- Ra (CRI) >80

25° Ambient Temperature	L70/B50	L80/B50
EM-TRACK	100,000	80,000

L' Value = % of initial Lumens maintained after specified time
B' Value = % of fittings failing to meet operational expectations after specified time

PHOTOMETRIC PERFORMANCE



- EM-TRACK
- Output - 180
- Watts - 2
- LOR - 100%