

# Stirling Halo



## PRODUCT DESCRIPTION

The HALO, a captivating LED luminaire in a modern ring shape, elevates both aesthetics and functionality in any indoor environment. Offering an impressive output of up to 129LI/Cw and 8230 delivered lumens in three different body sizes, it seamlessly integrates into various spaces. Choose from either the standard PMMA opal diffuser or the matt micro-prismatic for superior glare control. The HALO is housed in a robust steel finished in a sleek white (RAL 9003S), with custom colour options available upon request.

For total control, the HALO is available with optional Dali control, wireless communication, and corridor function for optimized lighting and energy efficiency.

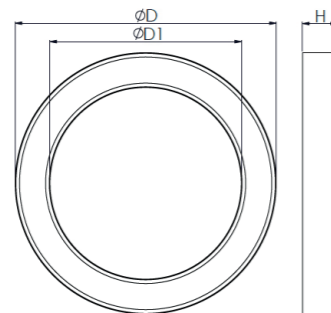
The HALO offers surface mount or suspension options (to be specified) and a convenient push-in terminal for electrical connection (cable accessories available separately).

The HALO's modern design, exceptional performance with advanced control options, and versatile mounting options make it ideal for offices, educational facilities, retail spaces, and public areas. With long-lasting LED technology (50,000 hours L80B10) and IP40 ingress protection, the HALO offers a reliable and visually striking lighting solution.

## FEATURES

- Ingress Protection
- Colour Temperature
- White (RAL9003S)

## DIMENSIONS



	mm	mm	mm
D	600	900	1200
D1	440	740	1040
H	80	80	80
KG	4.6	6.8	8.9

## PRODUCT DATA

STIRLING HALO					
Product code	Curcuit Watts (w)	Delivered Lumens	Colour Temp	Efficacy LI/cW	Dimension (mm sq)
<b>OPAL</b>					
252.2010.840	16	2010	4000	126	600
252.2740.840	23	2740	4000	119	600
252.3770.840	34	3770	4000	111	600
252.3300.840	26	3300	4000	127	900
252.4490.840	37	4490	4000	121	900
252.6170.840	54	6170	4000	114	900
252.4390.840	34	4390	4000	129	1200
252.5990.840	49	5990	4000	122	1200
252.8230.840	72	8230	4000	114	1200
<b>MICRO PRISMATIC</b>					
253.1730.840	16	1730	4000	108	600
253.2360.840	23	2360	4000	103	600
253.3250.840	34	3250	4000	96	600
253.2840.840	26	2840	4000	109	900
253.3870.840	37	3870	4000	105	900
253.5320.840	54	5320	4000	99	900
253.3784.840	34	3784	4000	111	1200
253.5160.840	49	5160	4000	105	1200
253.7090.840	72	7090	4000	98	1200

## PRODUCT OPTIONS

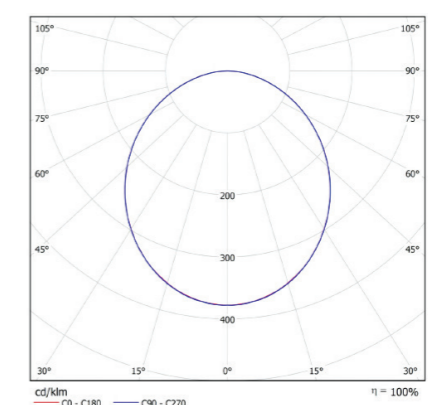
- Correlated colour temp suffix .830
  - Dali suffix .D1
  - Microwave Occupancy Detection with corridor function suffix .S4
  - Building Information modelling (Please Download from our website)
  - Grey suffix .G
  - Suspended version suffix .SUS
  - Black suffix .B
- Other finishes available - specify RAL code

## LED PERFORMANCE

25° Ambient Temperature	L80/B10
STIRLING HALO	50,000

'L' Value = % of initial Lumens maintained after specified time  
'B' Value = % of fittings failing to meet operational expectations after specified time

## PHOTOMETRIC PERFORMANCE



- HALO - OPAL
- Output - 6173
- Watts - 54.9
- LOR -100%