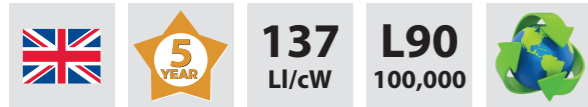


Stadia



PRODUCT DESCRIPTION

The STADIA, a high-power LED floodlight delivering exceptional brightness and durability for demanding outdoor applications. Its direct light distribution illuminates large areas in industrial facilities, sports complexes, transport terminals, and airports. There are a wide choice of lenses for optimal beam control ensuring total light control. Up to 221k lumen output can be achieved utilising the LS60 lens.

The STADIA boasts superior performance with a long-lasting lifespan of 135,000 hours (L80B10) and exceptional colour consistency (SDCM 3) for a visually pleasing experience. It adapts to various climates with a wide operating temperature range, from -40°C to +40°C (single LED module) or -40°C to +50°C (two or three LED modules).

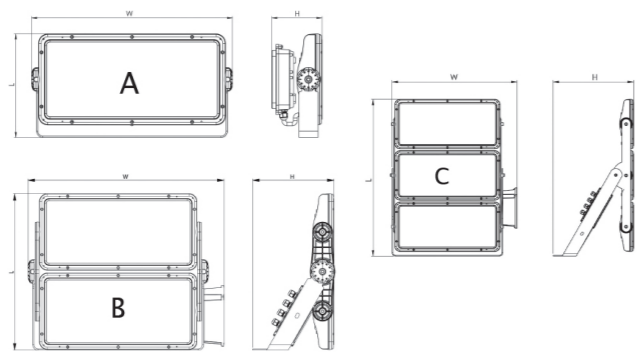
Built to last, the STADIA features a robust aluminium housing (finished in RAL 7043 dark grey) and a tempered glass diffuser, offering superior impact resistance (IK08) and protection against dust and water ingress (IP66).

The STADIA is the perfect solution for large-scale outdoor lighting applications in industrial, sporting, and transportation environments. Its exceptional performance, long lifespan, and robust construction ensure reliable and efficient illumination.

FEATURES

- Ingress Protection
- Colour Temperature
- Impact Protection
- Grey RAL 7043

DIMENSIONS



	A (mm)	B (mm)	C (mm)
H	165	300	900
W	640	750	464
L	320	580	637
KG	15.7	34.5	3.6

PRODUCT DATA

STADIA					
Product code	Circuit Watts (w)	Delivered Lumens	Colour Temp	Efficacy Lm/cW	Dimension (mm sq)
701.LSA1.45900.740	336	45900	4000	137	165 x 640 x 320
701.LSA1.51500.740	383	51500	4000	134	165 x 640 x 320
701.LSA1.62500.740	488	62500	4000	128	165 x 640 x 320
702.LSA1.91800.740	671	91800	4000	137	300 x 750 x 580
702.LSA1.103000.740	766	103000	4000	134	300 x 750 x 580
702.LSA1.125000.740	977	125000	4000	128	300 x 750 x 580
703.LSA1.137700.740	1007	137700	4000	137	900 x 464 x 637
703.LSA1.154400.740	1149	154400	4000	134	900 x 464 x 637
703.LSA1.187500.740	1465	187500	4000	128	900 x 464 x 637

PRODUCT OPTIONS

- LSA1** Asymmetric beam SA1 .LSA1
- LSA2** Asymmetric beam SA2 .LSA2
- LSM1** Asymmetric beam SM1 .LSM1

- LS30** 30° beam angle .LS30
- LS45** 45° beam angle .LS45
- LS60** 60° beam angle .LS60
- LS90** 90° beam angle .LS90

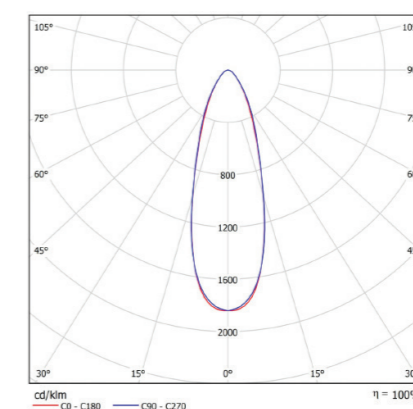


LED PERFORMANCE

25° Ambient Temperature	L90/B10
STADIA	100,000

'L' Value = % of initial Lumens maintained after specified time
'B' Value = % of fittings failing to meet operational expectations after specified time

PHOTOMETRIC PERFORMANCE



- STADIA
- Output - 156167
- Watts - 1006.5
- LOR -100%