

## PRODUCT DESCRIPTION

The SAVO, a ground-mounted LED luminaire, merges exceptional durability with a modern and sleek design. Ideal for illuminating public spaces and building facades, the SAVO delivers efficient direct light, enhancing both safety and visual appeal.

Built to last, the SAVO features a brushed stainless-steel frame for a touch of modern elegance, while its dark grey aluminium housing and tempered glass diffuser with a lens ensure exceptional impact resistance (IK10) and protection against dust and water ingress (IP67).

Uncompromising performance is delivered through high colour consistency (SDCM 3) for exceptional colour rendering and a visually pleasing experience. Enjoy a long lifespan of 60,000 hours with minimal maintenance needs, and a wide operating temperature range of -25°C to +40°C for adaptation to various climates.

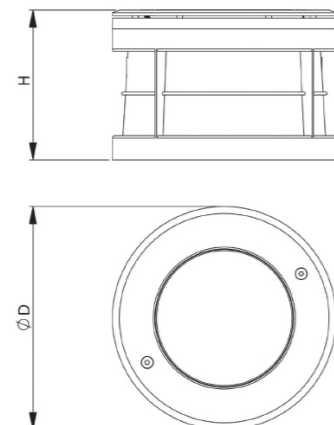
Effortless installation is achieved with the SAVO's pre-wired 1.0m cable (3x1.5mm<sup>2</sup>) for a quick electrical connection. Simply secure it directly into the ground for seamless integration.

The SAVO offers a perfect blend of strength, style, and performance.

## FEATURES

- Ingress Protection
- Colour Temperature
- Impact Protection

## DIMENSIONS

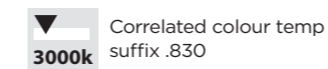


	mm	mm	mm
D	210	260	320
H	120	125	160
CUT OUT	200	250	310
KG	2.2	3.3	5.2

## PRODUCT DATA

SAVO					
Product code	Curcuit Watts (w)	Delivered Lumens	Colour Temp K	Efficacy Ll/cW	Diameter (mm)
7010.210.1650.840	13	1650	4000	122	210
7010.210.2230.840	19	2230	4000	115	210
7010.260.2250.840	19	2250	4000	115	260
7010.260.3200.840	26	3200	4000	123	260
7010.320.3200.840	26	3200	4000	123	320
7010.320.3900.840	34	3900	4000	115	320

## PRODUCT OPTIONS

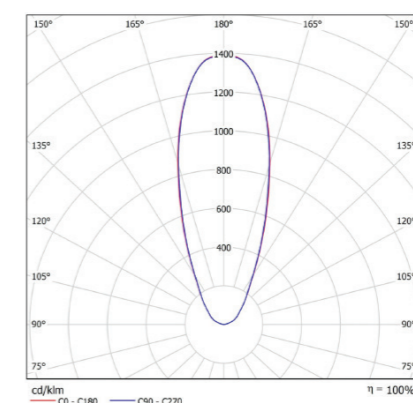


## LED PERFORMANCE

25° Ambient Temperature	L80/B10
SAVO	60,000

'L' Value = % of initial Lumens maintained after specified time  
'B' Value = % of fittings failing to meet operational expectations after specified time

## PHOTOMETRIC PERFORMANCE



- SAVO
- Output - 3952
- Watts - 34.4
- LOR -100%