

Major 130



PRODUCT DESCRIPTION

Manufactured in the UK, the MAJOR 130 downlight delivers exceptional performance with a commitment to sustainability. Offering up to 133 lumens per watt (Lm/W) and a low UGR<19, the MAJOR 130 provides bright, comfortable illumination. Our increased energy efficiency upgrades ensure a long-lasting brightness while minimizing energy consumption. Featuring a Philips LED module, this downlight offers superior reliability and light quality.

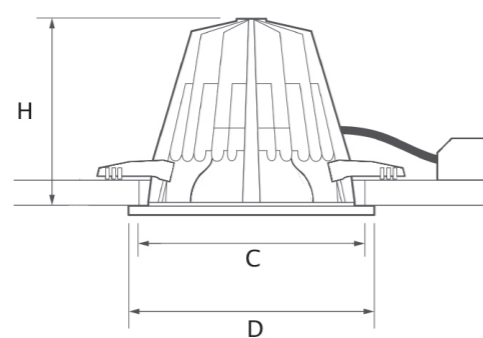
Supplied as standard with a white twist and lock bezel (optional black or white) and a multifaceted 40° pure aluminium reflector (MF40) providing exceptional light distribution with minimal glare. For added versatility, the MAJOR 130 offers range of control options and reflectors (MF25, MF60). IP20 as standard, with the option of an IP65 cover.

Backed by a 5-year warranty, the MAJOR 130 delivers lasting performance, sustainability, and style for your commercial or residential space.

FEATURES

- Ingress Protection
- Colour Temperature
- White

DIMENSIONS



	mm
H	99
D	130
C - cut out	110
KG	1

PRODUCT DATA

MAJOR 130				
Product code	Curcuit Watts (w)	Delivered Lumens	Colour Temp	Efficacy LI/cW
40° GENERAL BEAM				
330.MF40.1050.840	8	1050	4000	131
330.MF40.1825.840	14	1825	4000	130
330.MF40.2525.840	19	2525	4000	133
330.MF40.3375.840	27	3375	4000	125
330.MF40.4550.840	40	4550	4000	114
3000K				
330.MF40.1000.830	8	1000	3000	125
330.MF40.1750.830	14	1750	3000	125
330.MF40.2425.830	19	2425	3000	128
330.MF40.3250.830	27	3250	3000	120
330.MF40.4375.830	40	4375	3000	109

PRODUCT OPTIONS

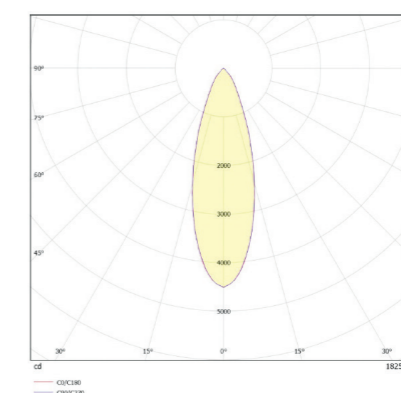
- Correlated colour temp suffix .830
- 3hr Emergency suffix .EM3
- Black Finish suffix .B
- IP65 option available suffix .IP
- Dali suffix .D1
- Multi Facet 25° Narrow Beam .MF25
- Emergency Dali suffix .EMD3
- Multi Facet 60° Wide Beam .MF60

LED PERFORMANCE

25° Ambient Temperature	L80/B10
MAJOR 130	50,000

'L' Value = % of initial Lumens maintained after specified time
'B' Value = % of fittings failing to meet operational expectations after specified time

PHOTOMETRIC PERFORMANCE



- Major 130
- Output - 1825lm
- Watts - 14
- LOR - 100%