

164.RGBW.CR

RGB/RGBW CHANNEL RECEIVER

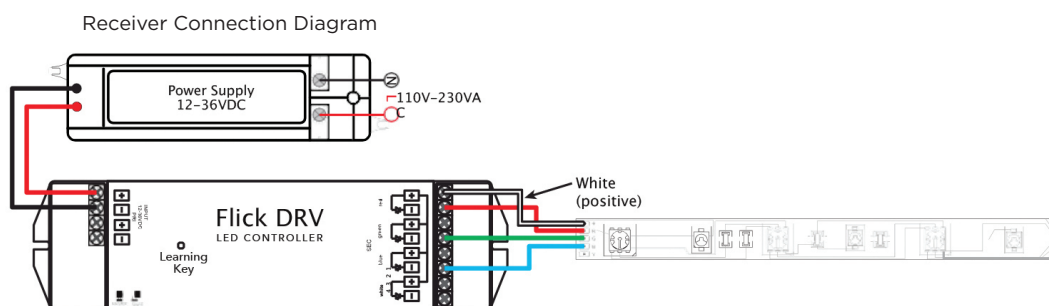
SPECIFICATION

Output voltage	12~36VDC
Output current	4 x 8A
Operation Frequency	434MHz/888Mhz
Product Tech	Radio Frequency
Outputs	3/4 Channel
Dimensions	178 x 57 x 21mm
Dynamic Mode	34
Dynamic Speed Levels	10
Static Colour	30 colours
Standards	CE



PRODUCT DESCRIPTION

An RF RGB/RGBW receiver allowing wireless control of indoor LED lighting when used in conjunction with the RGBW wireless controller.



DIMENSIONS

